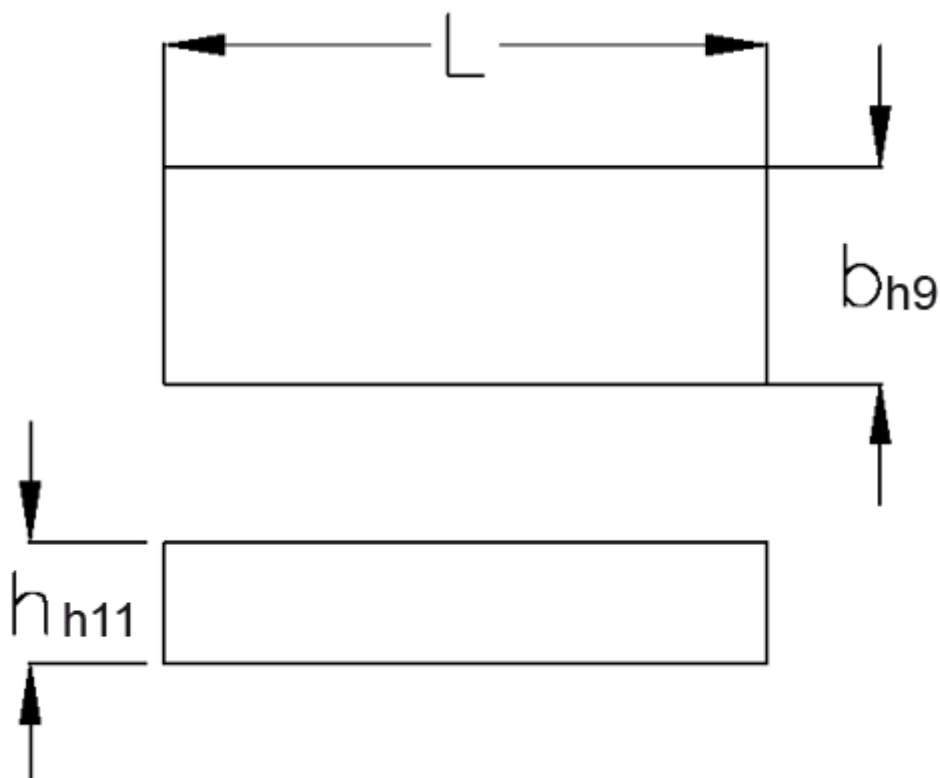


Article number: 0906201270

Description: KLEE Feather keys B 20x12x70 DIN 6885

## Measures



b = 20

h = 12

L = 70

Tolerance b = 0.052

Tolerance h = 0.110

Tolerance L = -0,3